



Controlled Access Solutions



The art of making an entrance



About Us

To guarantee a quality, affordable solution to our customers, EA Group have formed strong business partnerships with key manufacturers. To ensure best industry practice, our sales and engineering staff have received a high level of skills training supported by their ADSA accreditation.

EA Group aim to encompass the future requirements of an industry being set continual challenges to provide more modern and energy efficient products which perform to exacting Health and Safety regulations. We incorporate advanced operating features, multiple safety functions, and energy efficient configurations, to encompass the most demanding criteria for modern building design.

Our History



The Company was originally founded in the UK in 1983 to provide high quality automatic gate installation and maintenance in the Home Counties. In 1995 Perimeter Security (EA) Limited was incorporated as part of the Electro Automation Group of Companies to increase its product portfolio.

To consolidate the multiple disciplines Perimeter Security (EA) Limited changed its name in August 2003, amalgamating two companies into EA Group (UK) Limited.

With the acquisition of Automatic Door Maintenance Limited (ADMI) in July 2007, EA Group (UK) Limited further increased its knowledge and portfolio into the automatic door industry and incorporating our extensive experience of access control are now a major player in the supply and installation of turnstiles.



Company Profile

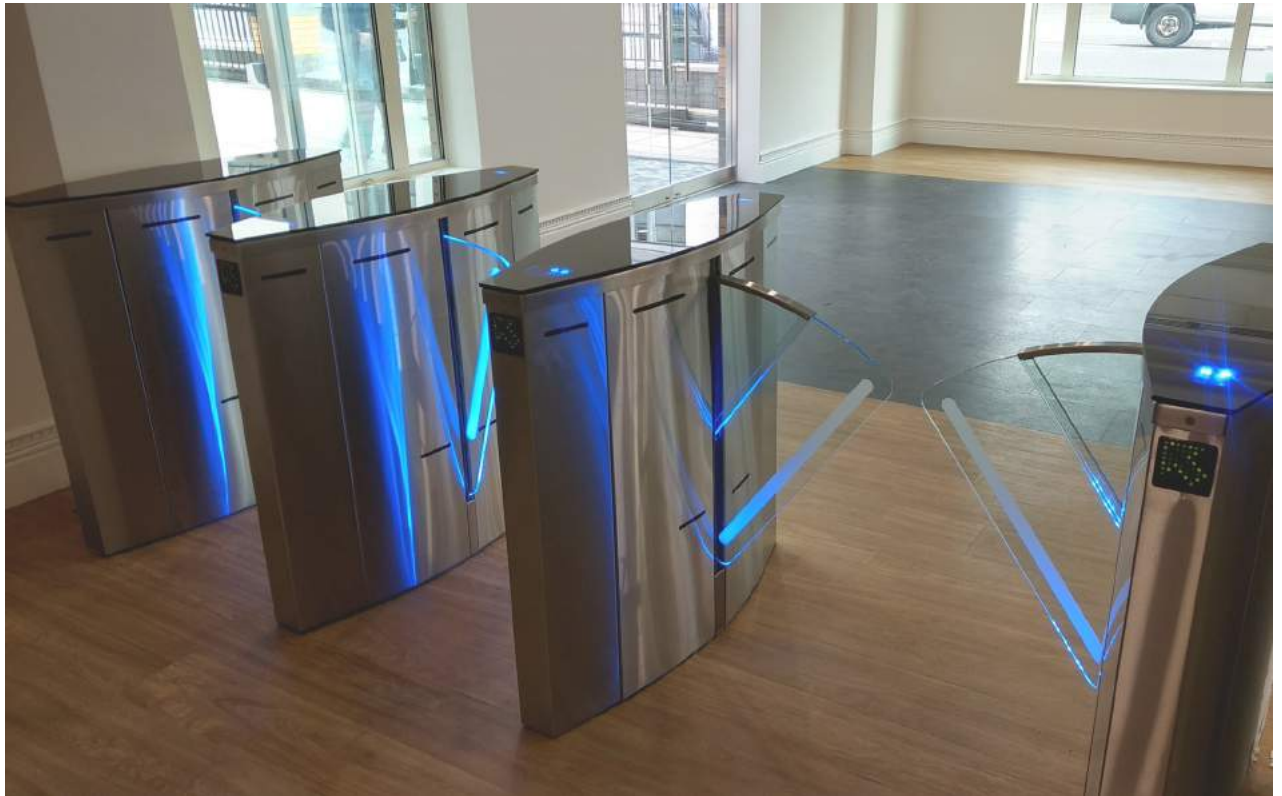
With its Head Office and Showroom located in Bookham, Surrey, EA Group (UK) Limited provide a comprehensive installation and support service within the turnstile, automatic door, access control, parking and security market sectors.

Contract administration, project management, technical support and 24 hour, 365-day service is coordinated from Bookham.

We have worked for many years with the police and government organizations and our engineering staff are both security screened and CRB checked.









EA SPEED LANE

The EA Speed Lane is an ergonomically designed fast speed gate which operates on the principal of glass (or plastic) panels acting as barrier gates, only retracting into the speed lane body upon an authorised signal from access control, a push button or both. Available in a choice of finishes including brushed or polished stainless steel or PPC in any RAL colour, our EA Speed Lane speed gate has the scope to aesthetically blend with most if not all building interiors making it a popular choice for architects and specifiers.

The mechanism within the EA Speed Lane has proven to be robust and reliable thanks to a mix of clever design and high quality components used in manufacture.

Controlled by:  Access control system  Push button



TECHNICAL SPECS:


Width, mm	Single pass (500) - 1080 Two-pass (500 + 500) - 1870
Length, mm	1000
Height, mm	1000
Weight, kg (not more)	Single pass - 202 Two-pass - 324
Mechanism	Motorized
Standard housing	Brushed AISI 304 Stainless Steel
Available housing	Brushed SS AISI 316 Polished SS AISI 304 Polished SS AISI 316

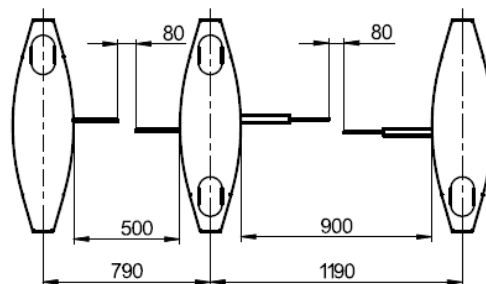
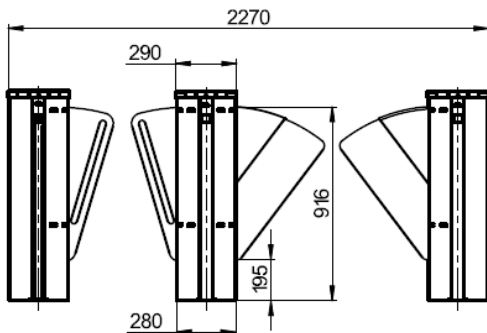


ELECTRICAL SPECS:

- Voltage:
 - from the AC (100-240)V, 50/60Hz;
 - from a DC source 12 V.
- Maximum power consumption 155 W per pass



 Passage width 900 mm for disabled (telescopic)



EA Group (UK) Limited, Units 20-21, Bookham Industrial Park, Church Road, Bookham, Surrey, KT23 3EU

Telephone: 01372 459536 Fax: 01372 454778 Website: www.ea-group.co.uk

PART OF THE ELECTRO AUTOMATION GROUP OF COMPANIES

REGISTERED IN ENGLAND NO. 3094251

VAT NO. 664124937



EA SWING LANE



The EA Swing Lane speed gates are stylish waist-high security speed gates that operate on the swing open principle with glass (or plastic) panels acting as the barrier gate. Depending on which side of the EA Swing Lane the person approaches, the gate when authorised, will swing open in the opposing direction allowing them passage through the controlled lane. The EA Swing Lane has the ability to embed most manufacturers access control readers beneath its top glass cover, and with the intuitive LED user indication and guidance, this security speed gate encompasses safety with high traffic flow capacity. The EA Swing Lane is offered with different dimensions of swinging gates, which enables lane widths of up to 900mm.

Controlled by:  Access control system  Push button

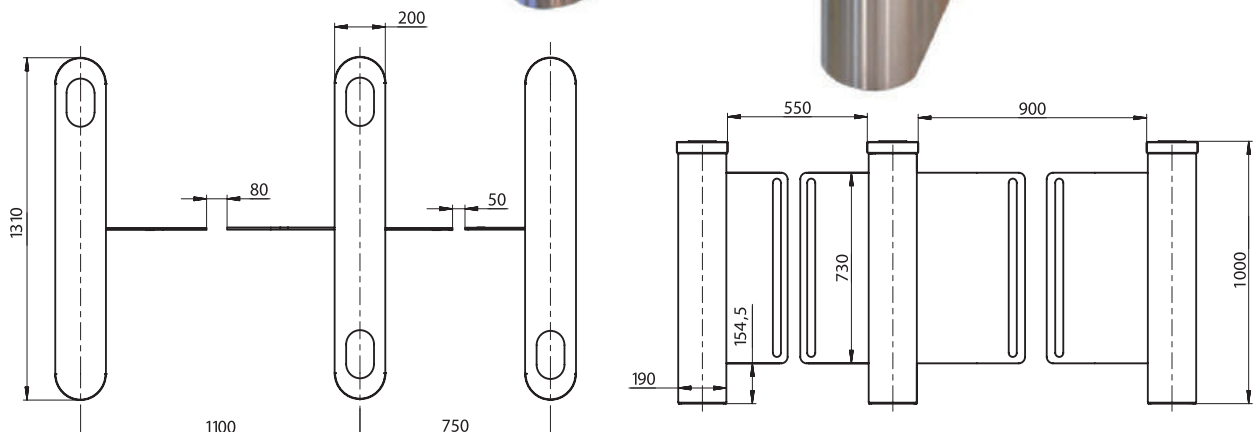


ELECTRICAL SPECS:

- Voltage:
 - from the AC (100-240)V, 50/60Hz;
 - from a DC source 12 V.
- Maximum power consumption 155 W per pass

TECHNICAL SPECS:

Width, mm	Single pass (550) – 930mm Two – pass (550 + 550) – 1670
Lenght, mm	1310
Height, mm	1000
Weight, kg (not more)	Single pass – 450 Two – pass – 700
Mechanism	Motorized
Standard housing	Brushed AISI 304
Available housing	Brushed SS AISI 316 Polished SS AISI 304 Polished SS AISI 316 Powder coated RAL



EA Group (UK) Limited, Units 20-21, Bookham Industrial Park, Church Road, Bookham, Surrey, KT23 3EU
Telephone: 01372 459536 Fax: 01372 454778 Website: www.ea-group.co.uk

PART OF THE ELECTRO AUTOMATION GROUP OF COMPANIES

REGISTERED IN ENGLAND NO. 3094251

VAT NO. 664124937



EA SWING LANE-S

The Swing Lane-S model is the latest addition in the EA Speed Gate series. It combines all the advantages of the popular EA Swing Lane in a new redesigned housing, offering a class leading footprint. Each housing is as little as 110mm wide making the Swing Lane-S suitable for any application. Standard operation uses two modes, normally open, and normally closed along with a host of operational modes when linked to an access control system. An option for shoulder height wings is available upon request. Standard black or white glass tops incorporate card reader mountings and LED illumination and displays.

When power goes OFF both directions are free.

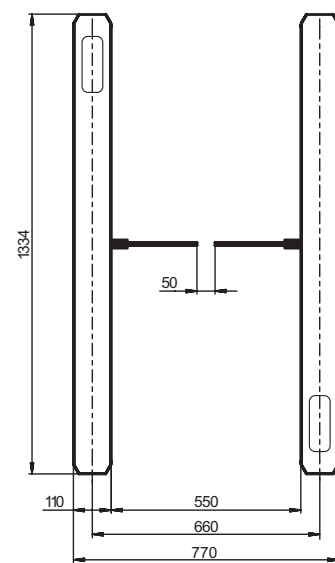
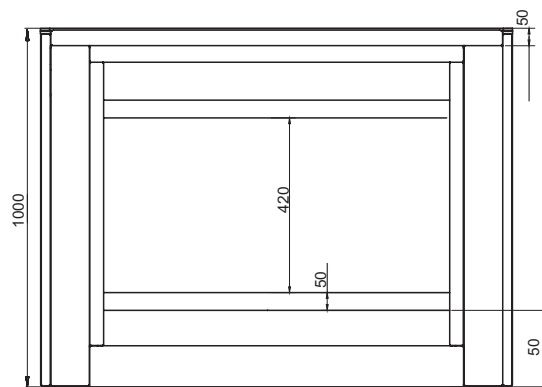
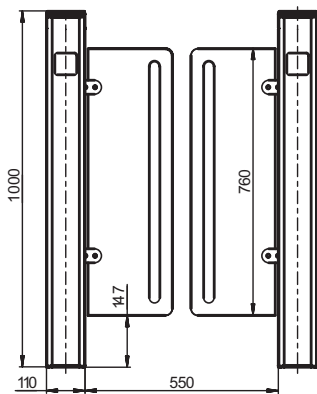
Controlled by:  Access control system  Push button

TECHNICAL SPECS:

Width, mm	Single pass (550) – 770 Two – pass (550 + 550) – 1430
Length, mm	1334
Height, mm	1000
Weight, kg (not more)	Single pass – 170 Two – pass – 280
Mechanism	Motorized
Standard housing	Brushed AISI 304
Available housing	Brushed SS AISI 316 Polished SS AISI 304 Polished SS AISI 316 Powder coated RAL

ELECTRICAL SPECS:

- Voltage:
 - from the AC (100-240)V, 50/60Hz;
 - from a DC source 12V.
- Maximum power consumption 155 W per pass



SPEED GATES & SPEED LANES



EA Group (UK) Limited, Units 20-21, Bookham Industrial Park, Church Road, Bookham, Surrey, KT23 3EU

Telephone: 01372 459536 Fax: 01372 454778 Website: www.ea-group.co.uk

PART OF THE ELECTRO AUTOMATION GROUP OF COMPANIES

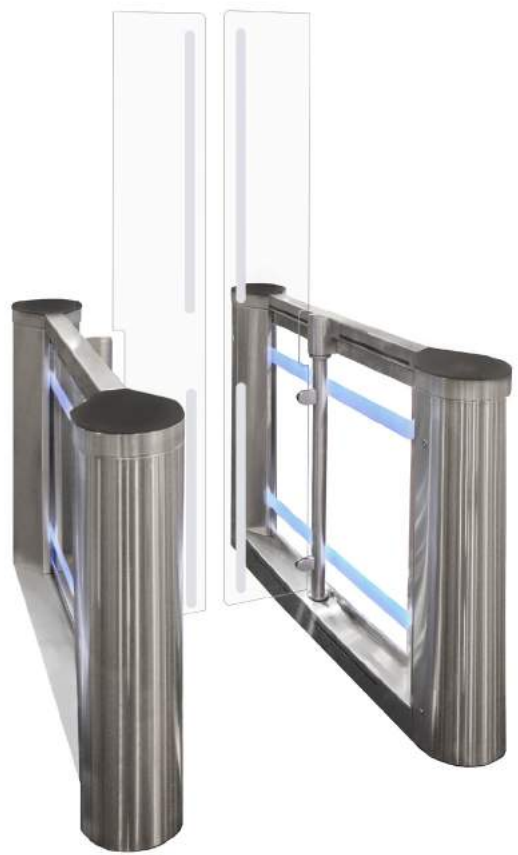
REGISTERED IN ENGLAND NO. 3094251

VAT NO. 664124937



EA SWING HG

SPEED GATES & SPEED LANES



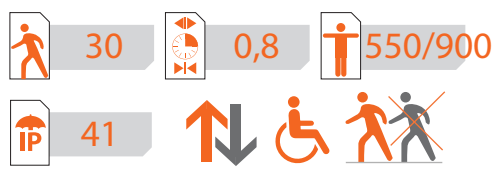
EA Swing HG is the tall version of our speed gate model, with high glass panel wings available up to 1800 mm from the floor level. Designed to prevent the passing of items over the turnstile, as well as people hurdling over. The EA Swing HG is available with passage widths of 550mm and 900mm, making this a DDA compliant security speed gate for wheel chair access. Both the height of wings and the passage width dimensions can be exactly specified to suit a building or secure entrance application. The EA Swing HG wings as standard are manufactured from safety tempered glass, but they are also available in polycarbonate or metal tube.

When power goes OFF both directions are free.

Controlled by:  Access control system  Push button

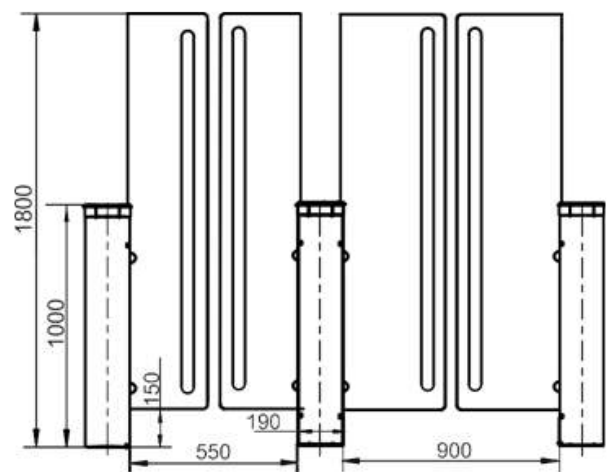
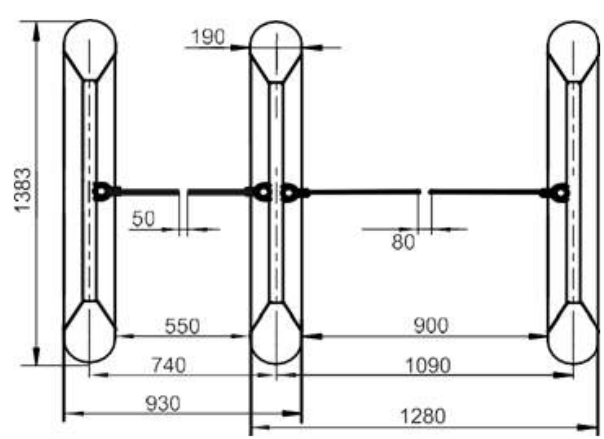
TECHNICAL SPECS:

Width, mm	Single pass (550) - 950 Two pass (550+550) - 1700
Length, mm	1383
Height, mm	1800
Weight, kg (not more)	Single pass – 220 Two – pass – 270
Mechanism	Motorised
Standard housing	Brushed AISI 304
Available housing	Brushed SS AISI 316 Polished SS AISI 304 Polished SS AISI 316 Powder coated RAL Top surface - Black Glass



ELECTRICAL SPECS:

- Voltage:
 - from the AC (100-240)V, 50/60Hz;
 - from a DC source 12 V.
- Maximum power consumption 155 W per pass



EA Group (UK) Limited, Units 20-21, Bookham Industrial Park, Church Road, Bookham, Surrey, KT23 3EU
 Telephone: 01372 459536 Fax: 01372 454778 Website: www.ea-group.co.uk
 PART OF THE ELECTRO AUTOMATION GROUP OF COMPANIES REGISTERED IN ENGLAND NO. 3094251 VAT NO. 664124937





EA Group (UK) Limited, Units 20-21, Bookham Industrial Park, Church Road, Bookham, Surrey, KT23 3EU
Telephone: 01372 459536 Fax: 01372 454778 Website: www.ea-group.co.uk

PART OF THE ELECTRO AUTOMATION GROUP OF COMPANIES REGISTERED IN ENGLAND NO. 3094251 VAT NO. 664124937





EA Slide speed gate has been designed with a similar operating principle as the Speed Lane turnstile. The significant difference of the EA Slide is its glass height being higher at 1.5 metres. This design offers a more effective protection of your site by preventing persons 'hurdling' the barrier panels, similar to full-height turnstiles. but it serves to be a aesthetic solution for lobbies of office centers, banks, and other public facilities etc. The high panels prevent items to be carried over the speed gate and offers the opportunity of brand logos to be added on the sliding glass panels. Anti-tailgating is standard and an optional back-up battery is available.

When power goes OFF both directions are free.

Controlled by:  Access control system  Push button

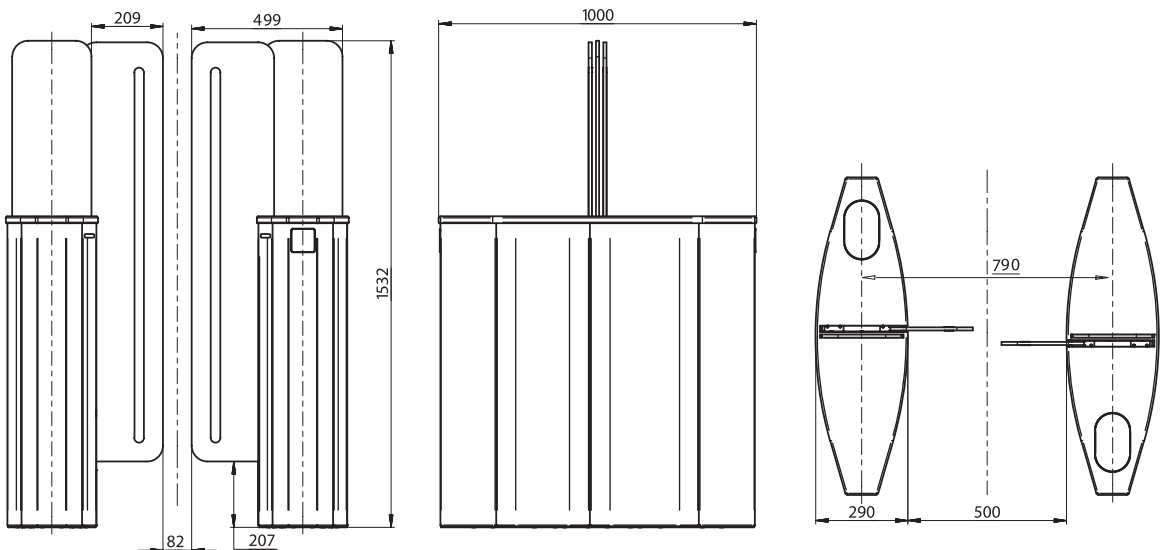
TECHNICAL SPECS:

Width, mm	Single pass (500) – 1080 Two – pass (500 + 500) – 1870
Length, mm	1000
Height, mm	1532
Weight, kg (not more)	Single pass – 288 Two – pass – 469
Mechanism	Motorized
Standard housing	Brushed AISI 304
Available housing	Brushed SS AISI 316 Polished SS AISI 304 Polished SS AISI 316 Powder coated RAL



ELECTRICAL SPECS:

- Voltage:
 - from the AC (100-240)V, 50/60Hz;
 - from a DC source 12 V.
- Maximum power consumption 155 W per pass



EA Group (UK) Limited, Units 20-21, Bookham Industrial Park, Church Road, Bookham, Surrey, KT23 3EU

Telephone: 01372 459536 Fax: 01372 454778 Website: www.ea-group.co.uk

PART OF THE ELECTRO AUTOMATION GROUP OF COMPANIES

REGISTERED IN ENGLAND NO. 3094251

VAT NO. 664124937



The Slide-900 is a derivative of the EA Slide model speed gate. Having a 900 mm passage width, it is specially designed to accommodate disabled access. Another feature is the possibility to have LED screens for electronic media information on the tops of the housings. Advertising light boxes are also available for installation on the tops and front surfaces of the housings. The combination of these features; with 1.64 meter high glass panels, short opening/closing time (0.8 sec.), high traffic capacity (30 pers./min), and reliability within a contemporary design, makes the EA Slide-900 a perfect solution for installation within banks, office buildings, business centres, private and public facilities. The EA Slide-900 speed gate can be controlled manually or by an access control system.



When power goes OFF both directions are free.

Controlled by:  Access control system  Push button

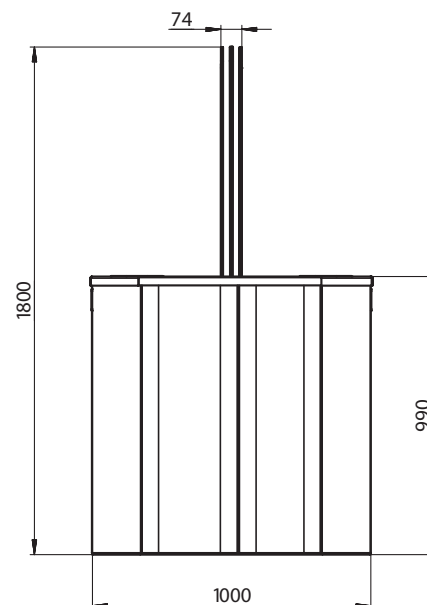
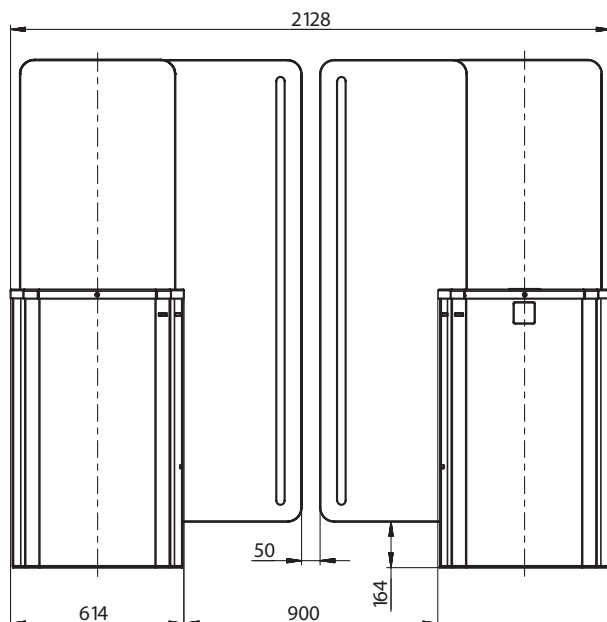
TECHNICAL SPECS:

Width, mm	2128
Length, mm	1000
Height, mm	1800
Weight, kg (not more)	350
Mechanism	Motorized
Standard housing	Brushed AISI 304
Available housing	Brushed SS AISI 316 Polished SS AISI 304 Polished SS AISI 316 Powder coated RAL



ELECTRICAL SPECS:

- Voltage:
 - from the AC (100-240)V, 50/60Hz;
 - from a DC source 12 V.
- Maximum power consumption 155 W per pass



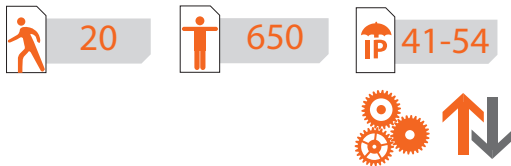
EA Group (UK) Limited, Units 20-21, Bookham Industrial Park, Church Road, Bookham, Surrey, KT23 3EU

Telephone: 01372 459536 Fax: 01372 454778 Website: www.ea-group.co.uk

PART OF THE ELECTRO AUTOMATION GROUP OF COMPANIES REGISTERED IN ENGLAND NO. 3094251 VAT NO. 664124937



GLASS-PASS



The Glass-Pass security turnstiles are designed for un-attended access controlled applications where a higher degree of security is required, and tailgating is prevented.

Glass-Pass is a full height glass turnstile built on the principle of the traditional rotary security turnstiles but with rotating glass wings instead of metal rods, that allows one person to pass through at a time.

When power goes OFF both directions are closed. Manual unlocking in case of unavailable power.

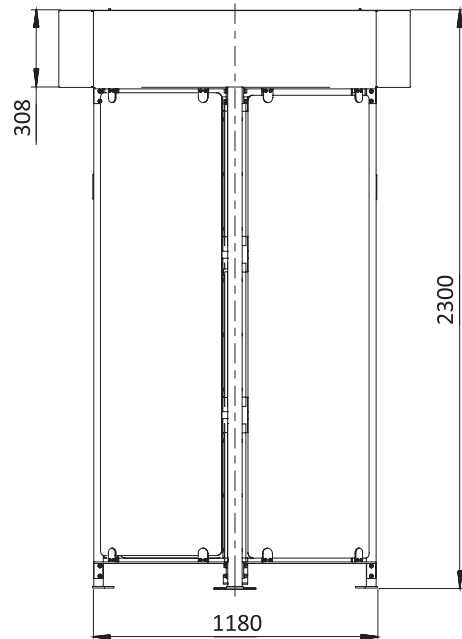
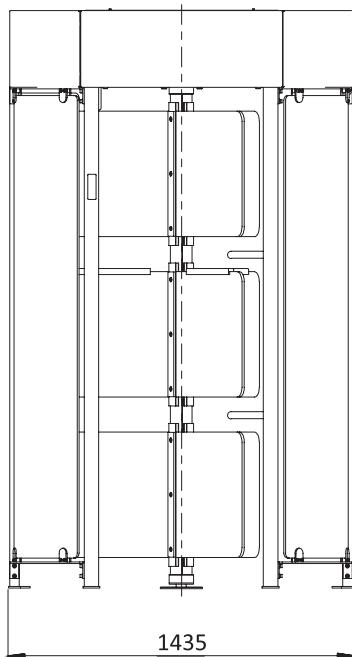
Controlled by:  Access control system  Push button

TECHNICAL SPECS:

Width, mm	1435
Length, mm	1180
Height, mm	2300
Weight, kg (not more)	470
Standart mechanism	Servo-drive (motorized)
Construction features	Disassembled
Standard housing	Brushed AISI 304
Available housing	Brushed SS AISI 316 Polished SS AISI 304 Polished SS AISI 316 Hot dip galvanized Powder coated RAL

ELECTRICAL SPECS:

- Voltage:
 - from the AC (100-240)V, 50/60Hz;
 - from a DC source 12 V.
- Maximum power consumption 155 W per pass.



EA Group (UK) Limited, Units 20-21, Bookham Industrial Park, Church Road, Bookham, Surrey, KT23 3EU

Telephone: 01372 459536 Fax: 01372 454778 Website: www.ea-group.co.uk

PART OF THE ELECTRO AUTOMATION GROUP OF COMPANIES

REGISTERED IN ENGLAND NO. 3094251

VAT NO. 664124937





FULL HEIGHT TURNSTILES

The EA Full Height turnstiles are robust, highly reliable pedestrian security gate solutions either internal or external applications. Both variations are available; 120° with three rotor arms and 90° with four arms. These vandal proof arms will keep the turnstile secure even after the high force impact, and can be supplied with either a single or double cage with a choice of finish options.

The EA Full Height turnstiles can be operated automatically by means of any access control systems including; card readers, biometrics, intercoms, remote control or manually with human intervention.

When power goes OFF both directions are closed. Manual unlocking in case of unavailable power.

Controlled by:  Access control system  Push button



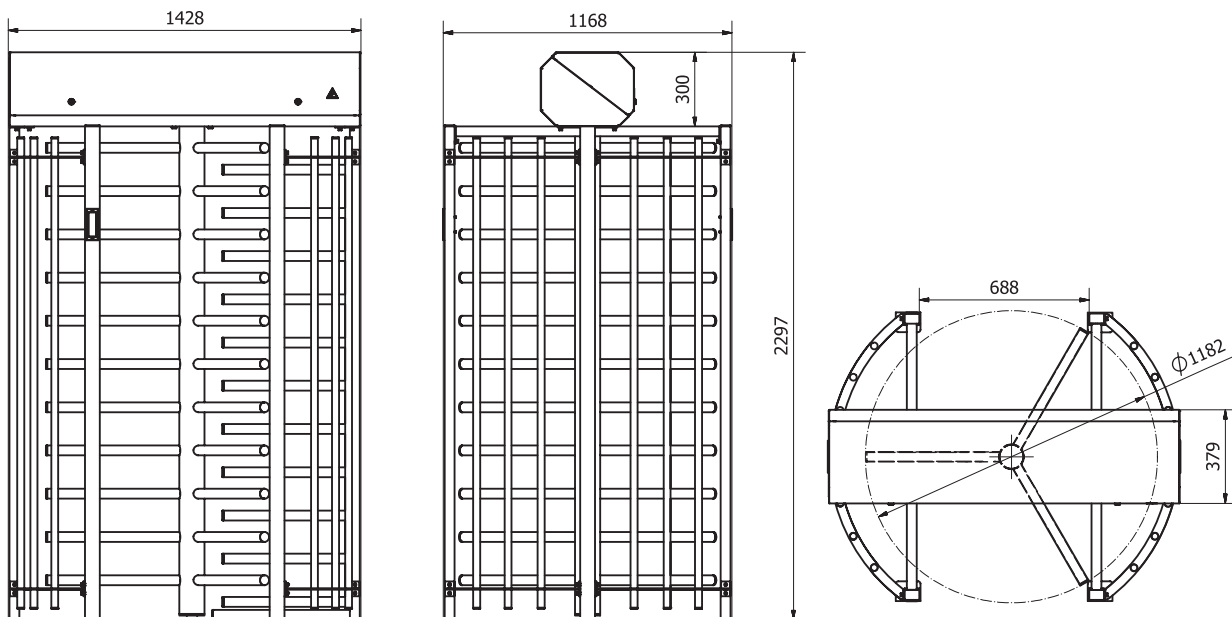
TECHNICAL SPECS:

Width, mm	1428
Length, mm	1168
Height, mm	2297
Weight, kg (not more)	375
Standard mechanism	Electro-mechanical
Available mechanism	Servo-drive (motorized)
Construction features	<ul style="list-style-type: none"> Disassembled (standard) Full welded (installation by a crane)
Rotor types	<ul style="list-style-type: none"> Y-type – 120° X-type – 90°
Standard housing	Brushed AISI 304
Available housing	Brushed SS AISI 316 Polished SS AISI 304 Polished SS AISI 316 Hot dip galvanized Powder coated RAL



ELECTRICAL SPECS:

- Voltage:
 - from the AC (100-240)V, 50/60Hz;
 - from a DC source 12 V.
- Maximum power consumption 155 W per pass.



FULL-HEIGHT TURNSTILES



EA Group (UK) Limited, Units 20-21, Bookham Industrial Park, Church Road, Bookham, Surrey, KT23 3EU

Telephone: 01372 459536 Fax: 01372 454778 Website: www.ea-group.co.uk

PART OF THE ELECTRO AUTOMATION GROUP OF COMPANIES

REGISTERED IN ENGLAND NO. 3094251

VAT NO. 664124937



EA ROTARY

The EA Rotary is one of the most popular tripod turnstiles due to its small footprint requirement and yet offering maximum efficiency. With its fast responsive motor and quick operation, it will eliminate crowding at an entrance. Drop arm function efficiently enables free passage in case of emergency. Brushed or polished stainless steel finishing will suit any interior and a RAL powder coated version is also available. The enclosure design is suitable for outdoor installation without an additional canopy. As with other turnstiles from our tripod series, the EA Rotary is available with an optional back-up battery should there be a power outage.

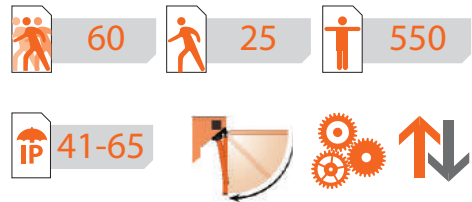
EA Rotary Twin is also available with double sided tripods. When power goes OFF both directions are free.

Controlled by:  Access control system  Push button



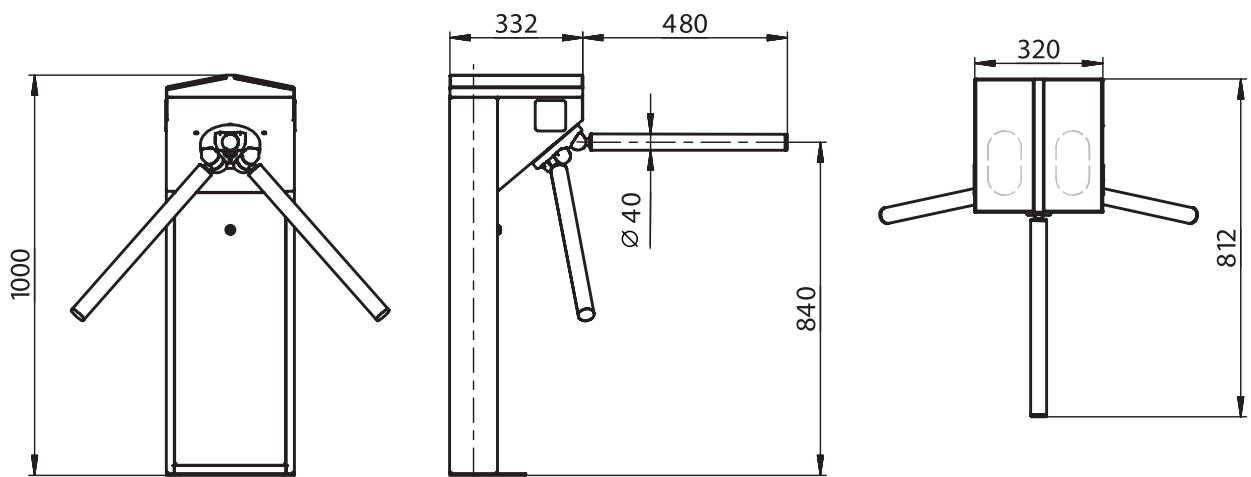
TECHNICAL SPECS:

Width, mm	800
Length, mm	812
Height, mm	1000
Weight, kg (not more)	40
Mechanism	Motorized
Standard housing	Brushed SS AISI 304
Available housing	Brushed SS AISI 316 Polished SS AISI 304 Polished SS AISI 316 Powder coated RAL



ELECTRICAL SPECS:

- Voltage:
 - from the AC (100-240)V, 50/60Hz;
 - from a DC source 12 V.
- Maximum power consumption 55 W per pass.



EA Group (UK) Limited, Units 20-21, Bookham Industrial Park, Church Road, Bookham, Surrey, KT23 3EU

Telephone: 01372 459536 Fax: 01372 454778 Website: www.ea-group.co.uk

PART OF THE ELECTRO AUTOMATION GROUP OF COMPANIES

REGISTERED IN ENGLAND NO. 3094251

VAT NO. 664124937



EA TRIPOD PLUS



Initially the EA Tripod Plus was designed as a hybrid of the EA Tripod & EA Rotary turnstiles. As with the EA Tripod turnstile, the EA Tripod Plus has access control reader mounting brackets under the top cover. The Tripod Plus also features LED indicators on both the side and top of the cabinet housing. A choice of housing finishes enables the turnstile to blend well into the different environments it is installed, both indoors and outdoors. A drop arm function is available, as to is an optional back-up battery connection should there be a power outage.

Bastion Twin is also available with double sided tripods.

When power goes OFF both directions are free.

Controlled by:  Access control system  Push button

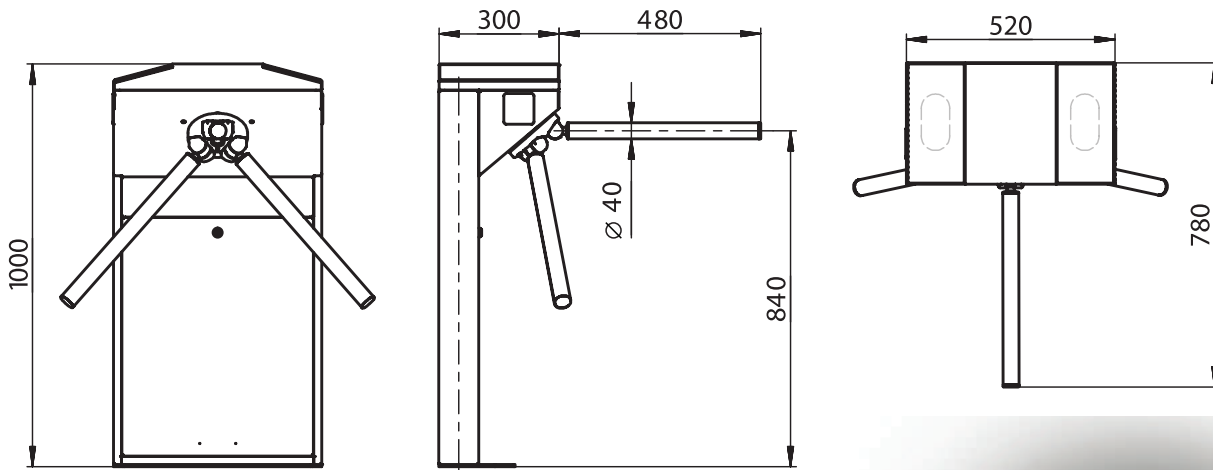
TECHNICAL SPECS:

Width, mm	780
Length, mm	750
Height, mm	1000
Weight, kg (not more)	40
Mechanism	Motorized
Standard housing	Brushed AISI 304
Available housing	Brushed SS AISI 316 Polished SS AISI 304 Polished SS AISI 316 Powder coated RAL



ELECTRICAL SPECS:

- Voltage:
 - from the AC (100-240)V, 50/60Hz;
 - from a DC source 12 V.
- Maximum power consumption 55 W per pass.



EA WALL MOUNT

The EA Wall Mount turnstile was designed and developed for projects which require wall-mounting installations. The EA Wall Mount turnstile provides same functionality as other turnstiles from our tripod series: "drop arm" function, access control reader mounting brackets under the top cover and an optional battery backup. Housing finishes are offered in: brushed stainless steel, polished stainless steel, or RAL powder coated. This turnstile interfaces with all types of access control or can be controlled via a push button. Applicable for both indoor and outdoor installation.



EA Group (UK) Limited, Units 20-21, Bookham Industrial Park, Church Road, Bookham, Surrey, KT23 3EU

Telephone: 01372 459536 Fax: 01372 454778 Website: www.ea-group.co.uk

PART OF THE ELECTRO AUTOMATION GROUP OF COMPANIES

REGISTERED IN ENGLAND NO. 3094251

VAT NO. 664124937



EA TRIPOD

The EA Tripod turnstile is a robust and reliable model from our tripod series. This model efficiently controls the pedestrian entrance of the busiest areas. The EA Tripod turnstile design, with its choice of housing finishes will perfectly fit a broad variety of buildings and facilities that need pedestrian control. Succinct design and the high quality materials used in manufacture, ensure a smooth and highly reliable operation. In the case of an emergency, the EA Tripod turnstile has a "drop arm" function to allow free movement and is also available with an optional battery backup during power outages.

EA Tripod Twin is also available with double sided tripods.



When power goes OFF both directions are free.

Controlled by:  Access control system  Push button

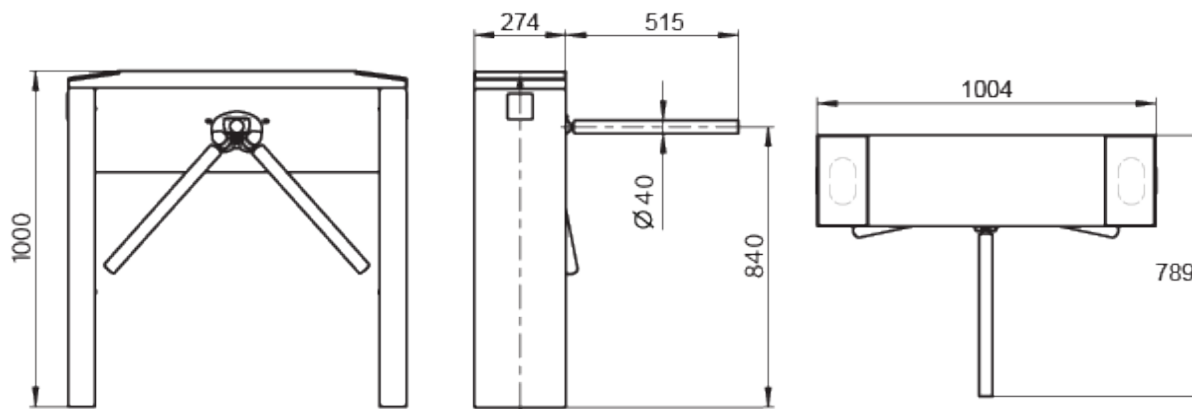
TECHNICAL SPECS:

Width, mm	750
Length, mm	1000
Height, mm	1000
Weight, kg (not more)	78
Mechanism	Motorized
Standard housing	Brushed AISI 304
Available housing	Brushed SS AISI 316 Polished SS AISI 304 Polished SS AISI 316 Powder coated RAL



ELECTRICAL SPECS:

- Voltage:
 - from the AC (100-240)V, 50/60Hz;
 - from a DC source 12 V.
- Maximum power consumption 50 W per pass.

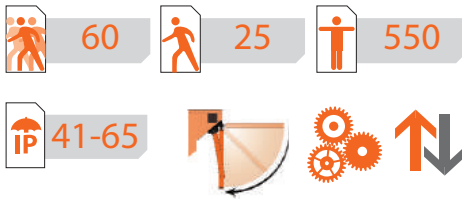


EA Group (UK) Limited, Units 20-21, Bookham Industrial Park, Church Road, Bookham, Surrey, KT23 3EU
 Telephone: 01372 459536 Fax: 01372 454778 Website: www.ea-group.co.uk

PART OF THE ELECTRO AUTOMATION GROUP OF COMPANIES REGISTERED IN ENGLAND NO. 3094251 VAT NO. 664124937



EA REVENUE TRIPOD



The EA Revenue Tripod turnstile has been designed to incorporate a broad range of access control including: barcode or fingerprint scanners, coin acceptors, card readers, ticket printers etc. Mounting brackets for card readers' installation are placed under the top by default.

The EA Revenue Tripod turnstile design, with its choice of housing finishes will perfectly fit a broad variety of buildings and facilities that need pedestrian control. To expand its versatility further, the EA Revenue Tripod also incorporates an advertising panel. As standard, the tripod turnstile is equipped with an anti-panic function for free access in case of emergency.

When power goes OFF both directions are free.

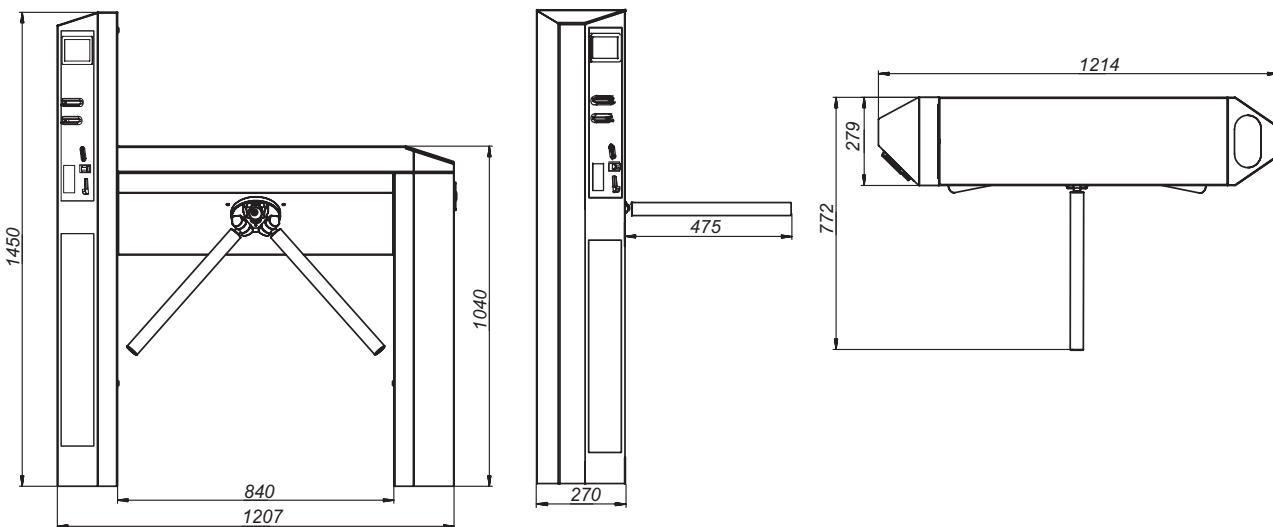
Controlled by:  Access control system  Push button

TECHNICAL SPECS:

Width, mm	745
Length, mm	1214
Height, mm	1450
Weight, kg (not more)	85
Mechanism	Motorized
Standard housing	Brushed AISI 304
Available housing	Brushed SS AISI 316 Polished SS AISI 304 Polished SS AISI 316 Powder coated RAL

ELECTRICAL SPECS:

- Voltage:
 - from the AC (100-240)V, 50/60Hz;
 - from a DC source 12 V.
- Maximum power consumption 55 W per pass.



EA Group (UK) Limited, Units 20-21, Bookham Industrial Park, Church Road, Bookham, Surrey, KT23 3EU

Telephone: 01372 459536 Fax: 01372 454778 Website: www.ea-group.co.uk

PART OF THE ELECTRO AUTOMATION GROUP OF COMPANIES REGISTERED IN ENGLAND NO. 3094251 VAT NO. 664124937



EA TRIPOD ELITE

The EA Tripod Elite turnstile incorporates the functionality of a tripod turnstile with the style of our Swing Lane speed gates. It's modern contemporary design using glass and stainless steel sets this tripod style turnstile aside from any other on the market. The cabinet housing is offered in a choice of options including polished or brushed stainless steel or powder coated steel. The transparency of the glass side panels highlighted by LED illumination give the EA Tripod Elite turnstile the sense of an opulent entrance solution. The LED's illuminating the glass side panels change colour depending on the entrance mode. The EA Tripod Elite turnstile top panel is made from black glass as standard (other options are also available) and the top panel is fitted with an LED display with space for an optional card reader.

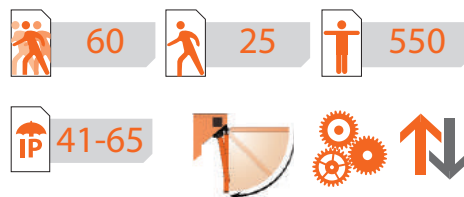


When power goes OFF both directions are free.

Controlled by:  Access control system  Push button

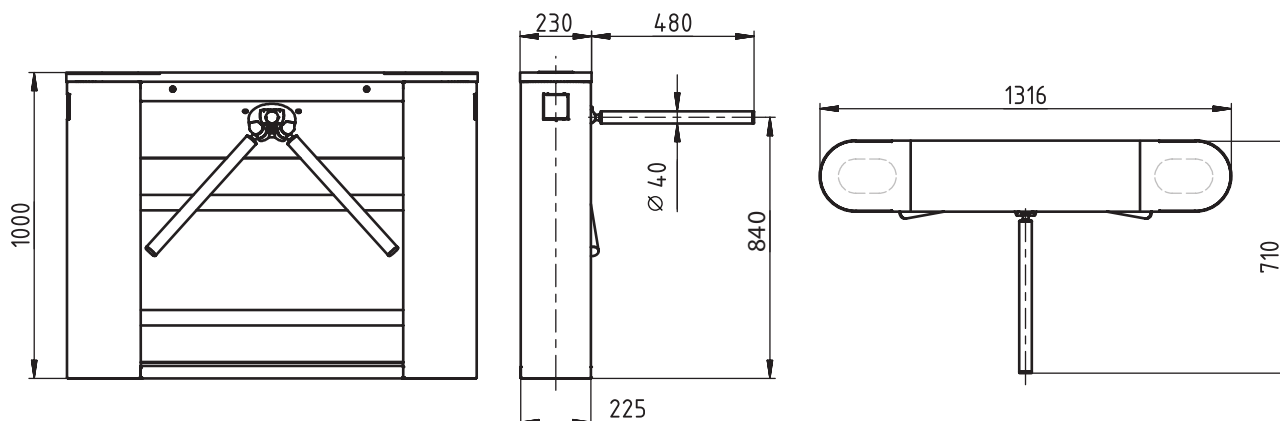
TECHNICAL SPECS:

Width, mm	710
Length, mm	1316
Height, mm	1000
Weight, kg (not more)	98
Mechanism	Motorized
Standard housing	Brushed AISI 304
Available housing	Brushed SS AISI 316 Polished SS AISI 304 Polished SS AISI 316 Powder coated RAL



ELECTRICAL SPECS:

- Voltage:
 - from the AC (100-240)V, 50/60Hz;
 - from a DC source 12 V.
- Maximum power consumption 55 W per pass.



EA Group (UK) Limited, Units 20-21, Bookham Industrial Park, Church Road, Bookham, Surrey, KT23 3EU

Telephone: 01372 459536 Fax: 01372 454778 Website: www.ea-group.co.uk

PART OF THE ELECTRO AUTOMATION GROUP OF COMPANIES

REGISTERED IN ENGLAND NO. 3094251

VAT NO. 664124937



EA GLASS GATES, GLASS GATES SLIM

Our Glass Gates and Glass Gates Slim are the popular choice for applications requiring a basic swing gate with a motorised drive to control pedestrians, however as the name suggests, these models have glass panels. Offered with several different dimensions, this swing gate model is a useful solution to provide DDA compliant access control. The EA Glass Gate can be controlled manually by a push button or interfaced with wide variety of access control systems. Our Glass Gate models are frequently used together with other turnstiles to facilitate a wider lane access up to 1000 mm making the controlled area DDA compliant. The Glass Gate models are available in a choice of polished or brushed stainless steel finishes.



EA GLASS GATE



EA GLASS GATE SLIM

When power goes OFF both directions are free.

Controlled by:  Access control system  Push button

TECHNICAL SPECS:

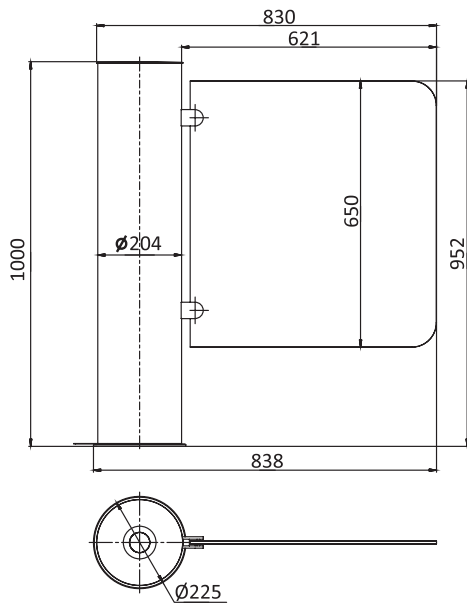
Model	Gate - GS	Gate - GS Slim
Width, mm	830	722
Diameter	204	101
Height, mm	1000	1000
Weight, kg (not more)	83	80
Mechanism	<ul style="list-style-type: none"> • Motorized • Mechanical 	
Standard housing	Brushed AISI 304	
Available housing	Brushed SS AISI 316 Polished SS AISI 304 Polished SS AISI 316	

ELECTRICAL SPECS:

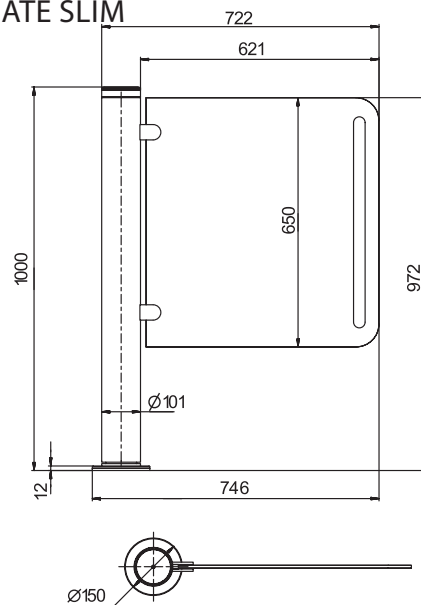
- Voltage:
 - from the AC (100-240)V, 50/60Hz;
 - from a DC source 12 V.
- Maximum power consumption 50 W



EA GLASS GATE



EA GLASS GATE SLIM



EA Group (UK) Limited, Units 20-21, Bookham Industrial Park, Church Road, Bookham, Surrey, KT23 3EU
 Telephone: 01372 459536 Fax: 01372 454778 Website: www.ea-group.co.uk

PART OF THE ELECTRO AUTOMATION GROUP OF COMPANIES

REGISTERED IN ENGLAND NO. 3094251

VAT NO. 664124937



EMERGENCY DOORS, BALUSTRADE

ADDITIONAL EQUIPMENT



The Emergency Door is fitted with a Magnetic Lock and is designed for installation as a part of a full-height turnstile to provide a free exit in an emergency or evacuation situation or in the case of a power outage to the turnstile. Also this door can be used for allowing access with oversized items that cannot traverse through the turnstile.

Different modifications and housing materials are available.

TECHNICAL SPECS:

Model	Full-height	Waist-height
Width, mm	200	200
Length, mm	1107	1100
Height, mm	2260	1300
Standard housing	Brushed AISI 304	
Available housing	Brushed SS AISI 316 Polished SS AISI 304 Polished SS AISI 316 Hot dip galvanized Powder coated RAL	

To complement our range of turnstiles, we offer a balustrade system to assist in the control and flow of pedestrians. The balustrade design is very simple yet elegant to blend into most environments. Our balustrade system is available in a combination of modular end or middle section posts with glass panels of different widths.

Each glass panel is available up to 1 meter in width, and being modular, there is no limit to the balustrade run length.

Logo etching is also available as an additional option.



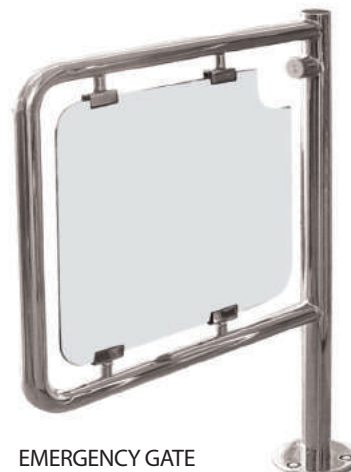
ENCLOSURE



ENCLOSURE

The Emergency Gate is designed for installation as a part of a waist height turnstile or within a balustrade system, to provide a free exit in an emergency or evacuation situation or in the case of a power outage to the turnstile. Also this gate can be used for allowing access with oversized items that cannot traverse through the turnstile.

Different modifications and housing materials are available



EMERGENCY GATE



EA Group (UK) Limited, Units 20-21, Bookham Industrial Park, Church Road, Bookham, Surrey, KT23 3EU

Telephone: 01372 459536 Fax: 01372 454778 Website: www.ea-group.co.uk

PART OF THE ELECTRO AUTOMATION GROUP OF COMPANIES

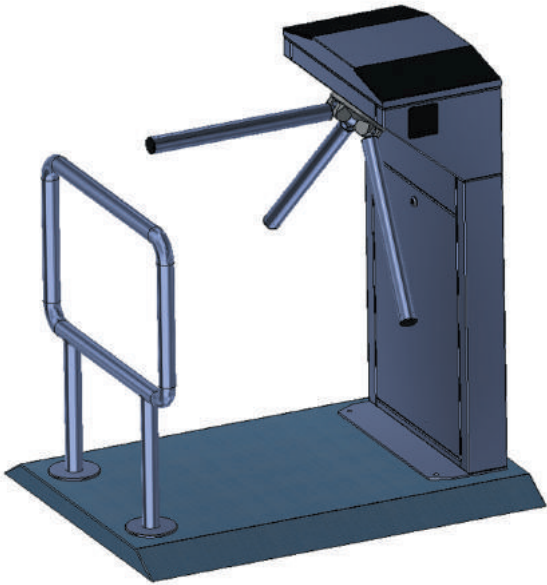
REGISTERED IN ENGLAND NO. 3094251

VAT NO. 664124937



FRAME - M

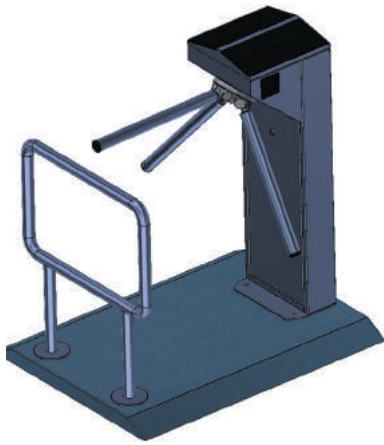
The Mobile Platform consists of landing, enclosure, and can have any tripod turnstile attached to it. The main purpose of the Mobile Platform is to ensure quick and easy displacement of an installed tripod turnstile to a place of temporary usage. Elegance, lightness and simplicity make this model particularly popular and irreplaceable in regards to the access control system.



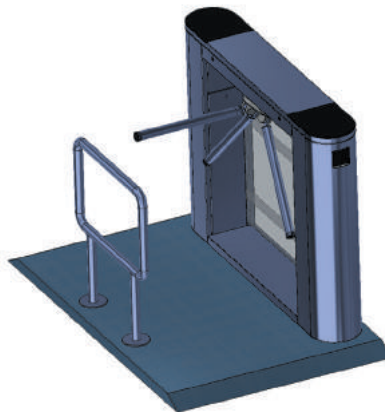
TECHNICAL SPECS*:

Width, mm	1010
Height, mm	942
Standard housing	Brushed AISI 304
Available housing	Polished AISI 304 Stainless Steel Powder coated RAL AISI 316 Stainless Steel

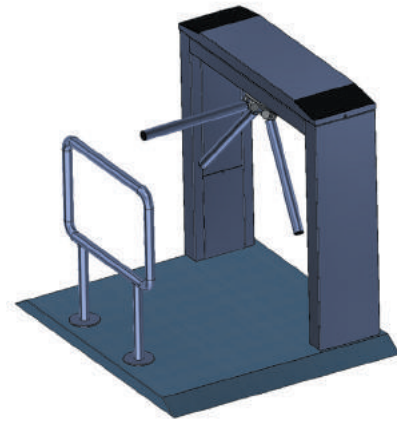
* Technical specifications may vary depending on the model of the turnstile.



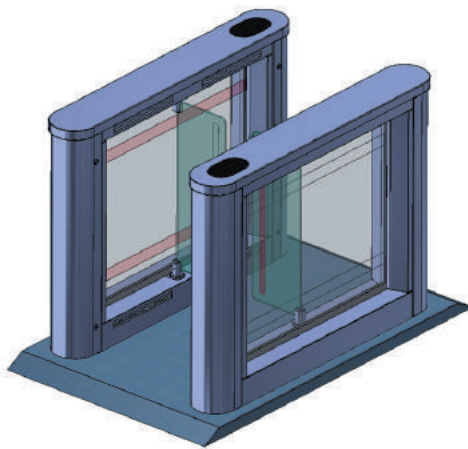
Frame-M + Rotary turnstiles



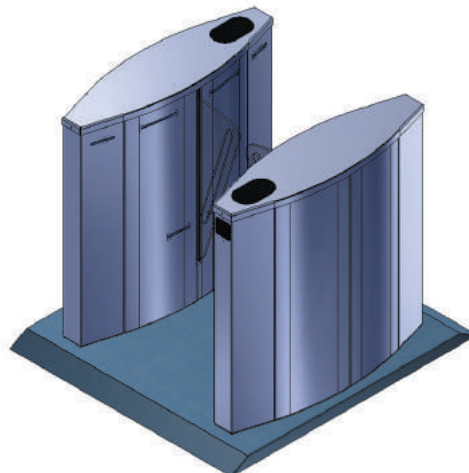
Frame-M + Tripod turnstiles



Frame-M + Tripod turnstiles



Frame-M + EA Swing Speed Gates



Frame-M + EA Speed Lane



EA Group (UK) Limited, Units 20-21, Bookham Industrial Park, Church Road, Bookham, Surrey, KT23 3EU
 Telephone: 01372 459536 Fax: 01372 454778 Website: www.ea-group.co.uk

PART OF THE ELECTRO AUTOMATION GROUP OF COMPANIES REGISTERED IN ENGLAND NO. 3094251 VAT NO. 664124937



CARD-READER

ADDITIONAL EQUIPMENT



Our Reader Posts are designed for installations where stand-alone access control readers are required to be positioned. Their elegance and simplicity make these models very popular to conveniently integrate an access control system into the aesthetics of a buildings environment.

Two Models

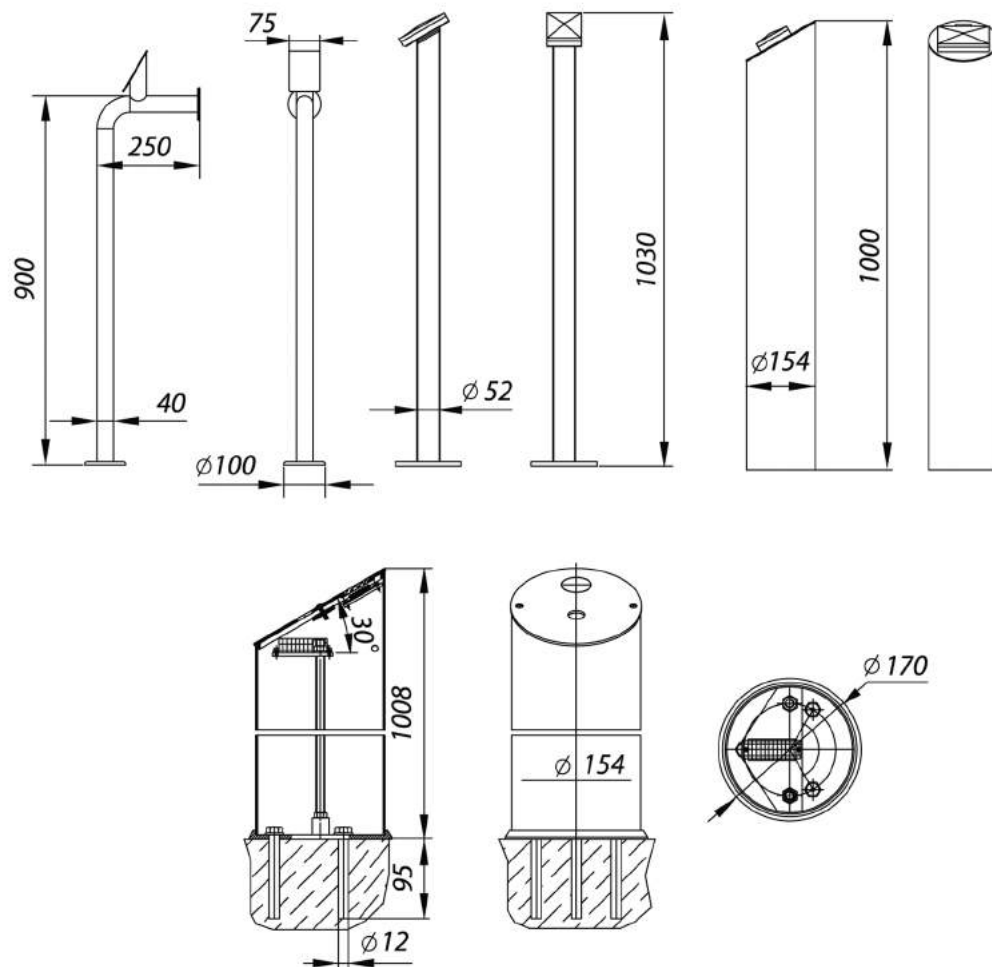
- **Classic** - A simple small footprint design made from a 51 mm diameter tube with an angled reader bracket
- **Prestige** - made from a 154 mm diameter tube and includes an LED display. It can display the access control status visually using two colour LED displays.

Materials

- Model «Classic» — structural steel with polymeric coating.
- Model «Prestige» — polished stainless steel.
- Basic colors: «Silver antic».

Optional

- Available in any RAL color paint finish
- Stainless steel with structured surface «Satin».



EA Group (UK) Limited, Units 20-21, Bookham Industrial Park, Church Road, Bookham, Surrey, KT23 3EU

Telephone: 01372 459536 Fax: 01372 454778 Website: www.ea-group.co.uk

PART OF THE ELECTRO AUTOMATION GROUP OF COMPANIES

REGISTERED IN ENGLAND NO. 3094251

VAT NO. 664124937



CARD-COLLECTOR

Our Card-Collector is an efficient solution to effectively collect temporary visitor's cards upon their departure.

Modern and contemporary by design, as standard it will elegantly blend with most modern building environments and when integrated with one of our turnstiles, can effectively prevent visitor cards from leaving your premises.

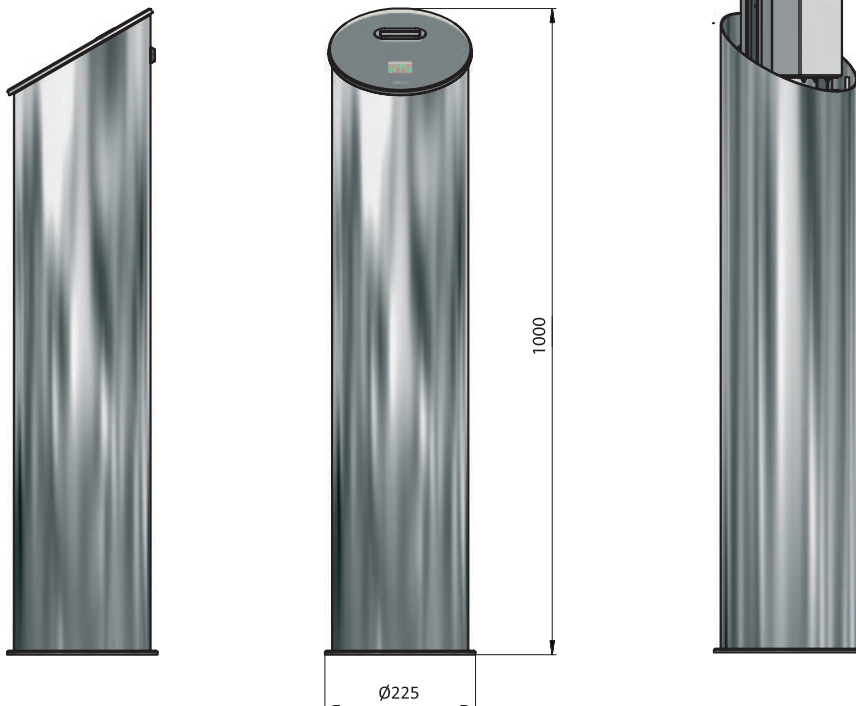
LED indicators beneath the glass top lid shows the status of the presented card (access denied or granted) and an optional integrated card-reader is available for permanent staff.

TECHNICAL SPECS:

Card capacity, pcs/pass	100 – 200
Diameter, mm	225
Height, mm	1000
Weight, kg (not more)	22 kg
Standard housing	Brushed SS AISI 304
Available housing	Brushed SS AISI 316 Polished SS AISI 304 Polished SS AISI 316 Hot dip galvanized Powder coated RAL

ELECTRICAL SPECS:

- Voltage:
 - from a DC source 12V



ADDITIONAL EQUIPMENT



EA Group (UK) Limited, Units 20-21, Bookham Industrial Park, Church Road, Bookham, Surrey, KT23 3EU

Telephone: 01372 459536 Fax: 01372 454778 Website: www.ea-group.co.uk

PART OF THE ELECTRO AUTOMATION GROUP OF COMPANIES

REGISTERED IN ENGLAND NO. 3094251

VAT NO. 664124937



SYMBOLS KEY

	Passage width, mm		Single pass, pers/min
	Opening/Closing, sec		Protection level *
	Free access, pers/min		
	Push button		Bi-directional
	Access control system		Version for disabled available
	Drop-arm		Anti-tailgating
	Motorized		Product is certified



Product specifications and complete sets may differ from that shown within the images. Drawings in this brochure are placed for reference only. Dimensions may vary depending on configuration.

* First figure is standard, all other available upon request.

For further information, please do not hesitate to call us on: ++44 (0)1372 459536

Every effort has been made to ensure that the information in this publication is correct at the time of publishing.

EA Group UK Limited assumes no responsibility or liability for typographical errors or omissions or for any misinterpretation of the information within this publication and reserves the right to change without notice.



EA Group (UK) Limited, Units 20-21, Bookham Industrial Park, Church Road, Bookham, Surrey, KT23 3EU

Telephone: 01372 459536 Fax: 01372 454778 Website: www.ea-group.co.uk

PART OF THE ELECTRO AUTOMATION GROUP OF COMPANIES

REGISTERED IN ENGLAND NO. 3094251

VAT NO. 664124937





EA Group (UK) Ltd
Units 20-21
Bookham Industrial Park
Church Road, Bookham
Surrey, KT23 3EU

The art of making an entrance

Telephone: 01372 459536

Fax: 01372 454778

web: www.ea-group.co.uk

email: sales@ea-group.co.uk